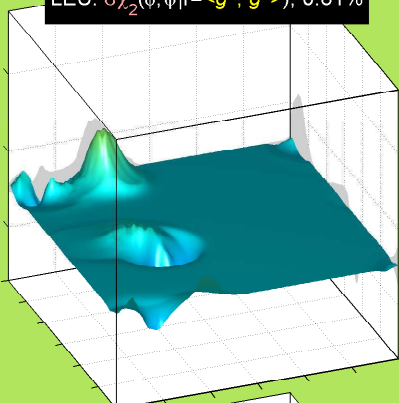
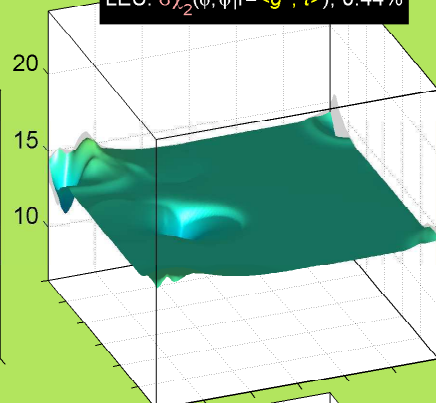


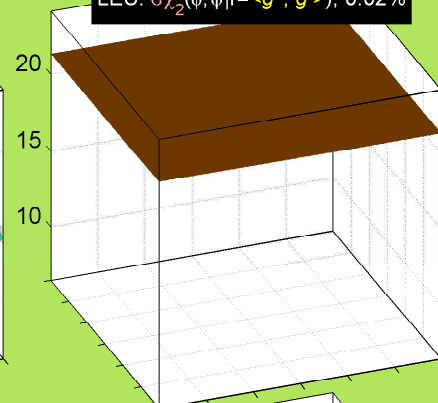
LEU:  $\sigma_{\chi_2}(\phi, \psi | r = \langle g^+, g^+ \rangle)$ , 0.81%



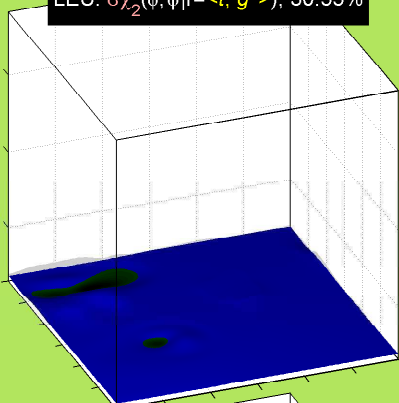
LEU:  $\sigma_{\chi_2}(\phi, \psi | r = \langle g^+, t \rangle)$ , 0.44%



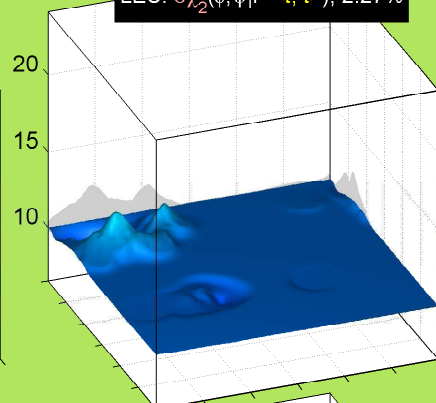
LEU:  $\sigma_{\chi_2}(\phi, \psi | r = \langle g^+, g^- \rangle)$ , 0.02%



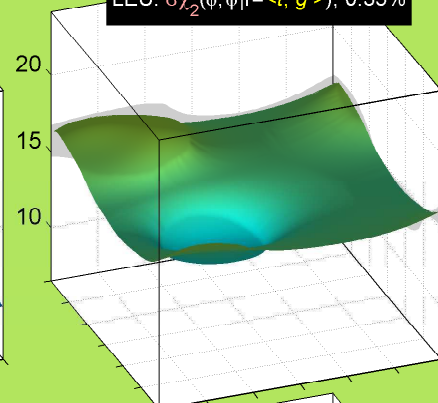
LEU:  $\sigma_{\chi_2}(\phi, \psi | r = \langle t, g^+ \rangle)$ , 30.55%



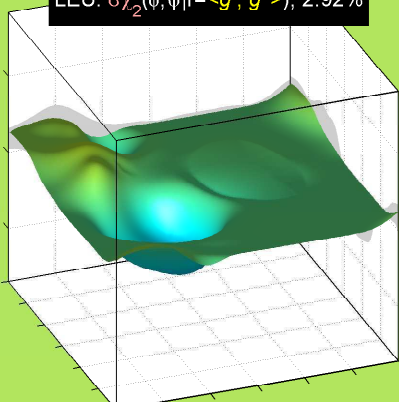
LEU:  $\sigma_{\chi_2}(\phi, \psi | r = \langle t, t \rangle)$ , 2.27%



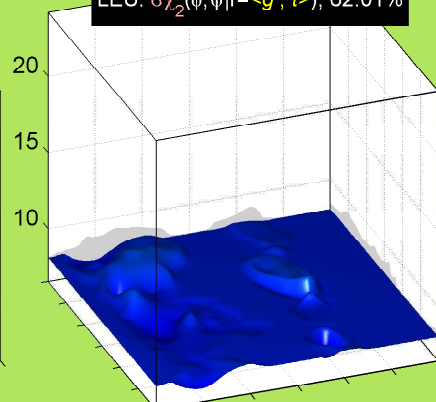
LEU:  $\sigma_{\chi_2}(\phi, \psi | r = \langle t, g^- \rangle)$ , 0.35%



LEU:  $\sigma_{\chi_2}(\phi, \psi | r = \langle g^-, g^+ \rangle)$ , 2.92%



LEU:  $\sigma_{\chi_2}(\phi, \psi | r = \langle g^-, t \rangle)$ , 62.01%



LEU:  $\sigma_{\chi_2}(\phi, \psi | r = \langle g^-, g^- \rangle)$ , 0.63%

