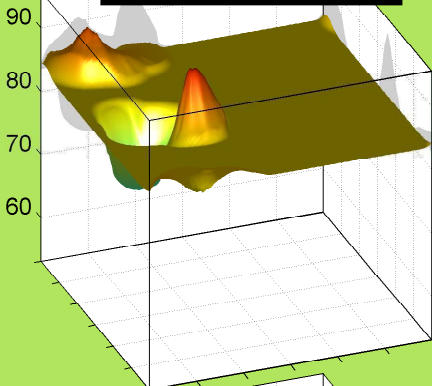
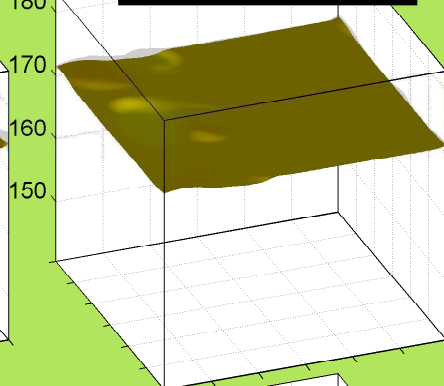


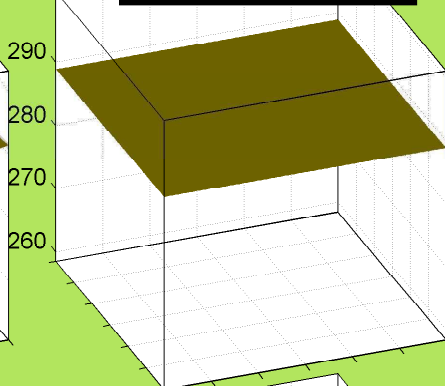
ILE: $\chi_2(\phi, \psi|r=\langle g^+, g^+ \rangle)$, 0.56%



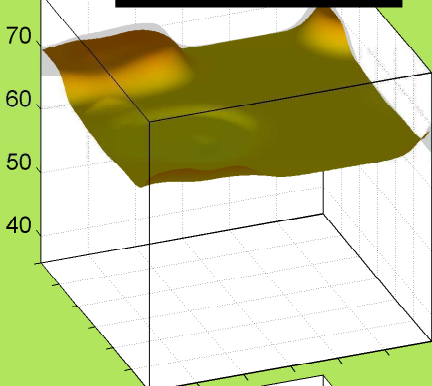
ILE: $\chi_2(\phi, \psi|r=\langle g^+, t \rangle)$, 11.67%



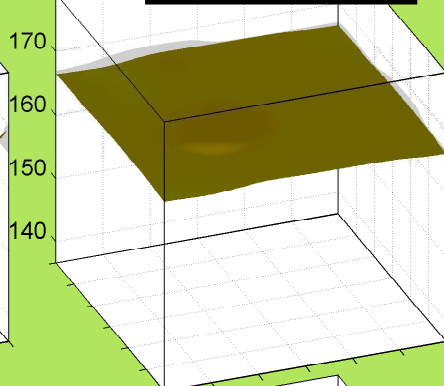
ILE: $\chi_2(\phi, \psi|r=\langle g^+, g^- \rangle)$, 0.06%



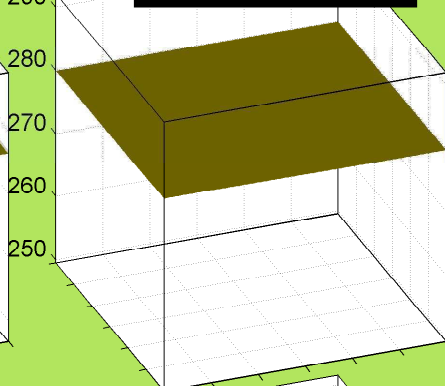
ILE: $\chi_2(\phi, \psi|r=\langle t, g^+ \rangle)$, 2.56%



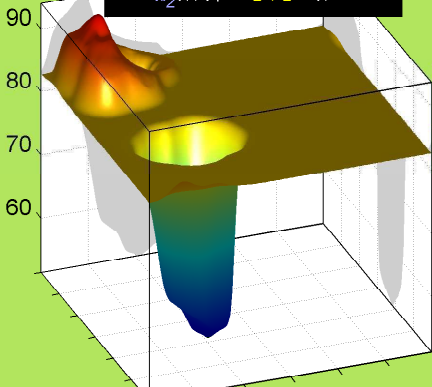
ILE: $\chi_2(\phi, \psi|r=\langle t, t \rangle)$, 6.04%



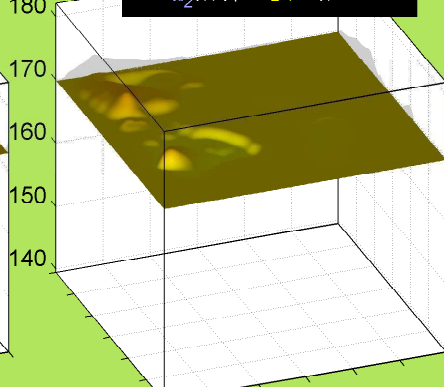
ILE: $\chi_2(\phi, \psi|r=\langle t, g^- \rangle)$, 0.04%



ILE: $\chi_2(\phi, \psi|r=\langle g^-, g^+ \rangle)$, 1.29%



ILE: $\chi_2(\phi, \psi|r=\langle g^-, t \rangle)$, 61.79%



ILE: $\chi_2(\phi, \psi|r=\langle g^-, g^- \rangle)$, 15.98%

